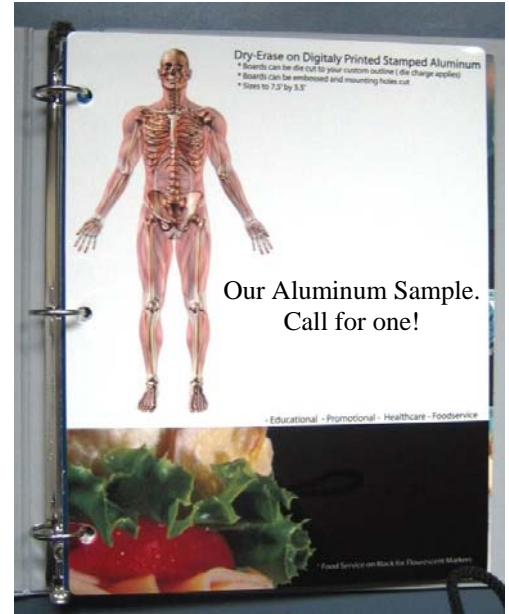


# Custom Graphic White-Boards in Full Color

## *Benefits of dealing with Indoff for your CGW needs.*

- ⇒ Permanent— we do not tape on, paint on, screen on or laminate under!!
- ⇒ Our MarkaSub when Die sublimated changes its color at the molecular level, leaving a hard non-ghosting plastic dry-erase surface. This is in full color — no extra cost or complexity for color.
- ⇒ Digital Format—you provide proper image and there is no setup charge— even on one piece.
- ⇒ Speed—Single units and prototypes can be produced quickly since we produce our transfer sheet on a large format ink jet printers. No screens or hand made lines.
- ⇒ For large Quantities Offset printing is used to produce the transfer sheets making large volumes practical t dry erase surface. We can produce 50,000 piece lots—no quantity to large
- ⇒ We have great expertise in getting the image transferred correctly and in working with large formats - We go up to 4' x 8' (leave a border)
- ⇒ We can coat both sides of our substrates and print on both sides!
- ⇒ Magnetic Steel is available Now or chose die Stamped Aluminum!



## *Overview of dry-erase aspect of MarkaSub*

Now there's a new alternative to conventional painted, laminated and porcelain coated marker boards. Using the patented UNIFACE® electron beam curing technology, we present MarkaSub, a marker board panel that outperforms all others in ease of erasing, even after the marker has been left to dry for weeks or even months. MarkaSub offers all the design flexibility inherent in all our durable, high gloss coated panels. You can choose from a variety of thicknesses in both hardboard, FRP, aluminum, steel and medium density fiberboard. Even large surface areas become easy to manage since there is no need to glue on additional backing for support.

### **Features**

- Specially formulated top coat for dry erase markers
- Patented electron beam curing
- Polyester acrylic coating that provides a tough, durable surface
- Stain resistance that surpasses conventional boards
- Non-toxic—Environmentally friendly

### **Benefits**

- Superior ease of erasing for a clean and “like new” appearance
- Prevents marker penetration from long term application that causes ghosting in other boards
- Scratch and gouge resistant
- Common household cleaners will remove most stains
- Consistent bright color
- Works great with Sanford Expo Markers and Cleaners

## *Who are we?—what do we do?*

Indoff's CT branch specializes in Dry-Erase Surfaces of all types (both color printed and bare). We had many calls for quality long lasting Dry-erase Marker Boards with complicated and color graphics in both non-magnetic and magnetic versions along with the ability to produce them in single units to thousands . We searched and innovated at lot to became the countries best source for the widest selection of custom printed dry erase boards We sell to end users as well a working with dealers, promotional firms, printers and OEMS's. Call for Ideas, Brainstorming and Pricing ! You will not find another source that touches our dry erase capabilities!

Our boards are True Dry-erase— not Wet-erase like laminated film over printed paper boards.

Phone: 860-632-2026

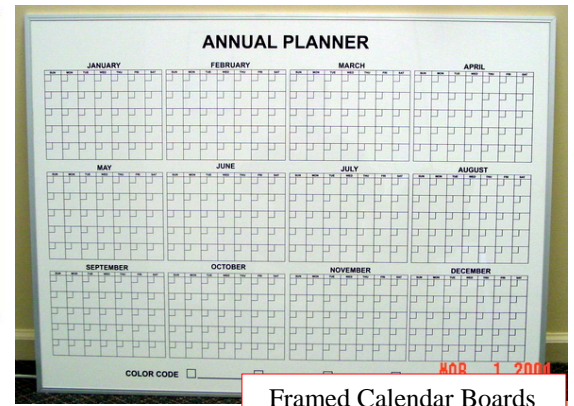
Fax 860-632-2028

E-mail: ahutton@ahutton.com

sales office only in CT

Fob Point & Factory in SC

sales office only in CT



## Framing

- ⇒ We offer framing in plastic or extruded aluminum (only aluminum can have a marker tray).
- ⇒ We offer just the printed board without frame so you can finish it or mount it on your own
- ⇒ On Hardboard we offer routed edges and rounded corners so no frame is needed
- ⇒ On our 1/2" MDF we offer fully finished Ogee style edge which looks like a plaque

## Substrates our Die-Sublimateable Surfaces are factory applied too!

- ⇒ 1/8" or 1/4" hardboard—best price, great for small boards
- ⇒ .060" Phenolic—Thin and tuff substrate that loves to be treated as a plastic laminate
- ⇒ .090" FRP (Fiberglass Reinforced Plastic) is water resistant, stiff and perfect for many applications.
- ⇒ MarkaRace & Sub 25 Gage Steel— Yes its Magnetically Receptive this exclusive product can be laser cut to shapes or sheared to your needs. Steel needs to be laminated to backer (we do this) for rigidity.
- ⇒ MarkaSteel-MG — stocked in 12"x18", 18"x24", 2'x3', 3'x4', 47"x47", 4'x5', 4'x6', 4'x8', 4'x10', 4'x12'
- ⇒ Aluminum-CGWA— Die cut to your shape makes beautiful signs and also perfect dry erase boards .025" & .040"
- ⇒ 3/8" 1/2" or 5/8" MDF (Medium Density Fiberboard) that that can be routed and edge finished to create plaques
- ⇒ All of the above substrates are die sublimateable for imaging and most can coated on both sides

**NEW=>CGWP**—Porcelain Ceramic Steel with baked on images (not die sublimated) -all new program 12/06—call us!

## MarkaSteel-MG— COST Effective

- ⇒ Magnetic printed products at stunning prices.
- ⇒ High volume yields incredible value with standard sizes
- ⇒ Printed skins list at \$4.11 ft2 in volume.
- ⇒ Pricing so good OEM's use us.
- ⇒ Call with your high volume project or promotion

## Performance—why MarkaSub

- ⇒ Truly permanent printing on dry erase
- ⇒ Any complexity of fonts and lettering
- ⇒ Anything you can print on paper we can print!
- ⇒ Exceptional non ghosting and erase-ability

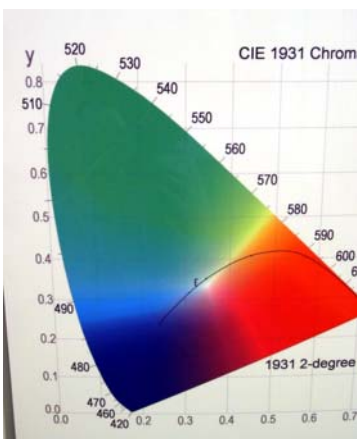
There area virtually unlimited range of applications for MarkaRace and MarkaSub. From traditional easel mounted presentation marker boards to in-wall installations.

## Magnetic—Yes we have magnetic

- ⇒ 25 Gauge Steel Substrate w/ coated back
- ⇒ Very sturdy and very receptive to magnets
- ⇒ Use with magnetic write on labels, marker dots, arrows, numbers and dates.
- ⇒ Use to hold maps and papers to board.
- ⇒ Our new MarkaSteel MG can be bent with a 2T radius after being printed on!

Hospital Patient Board

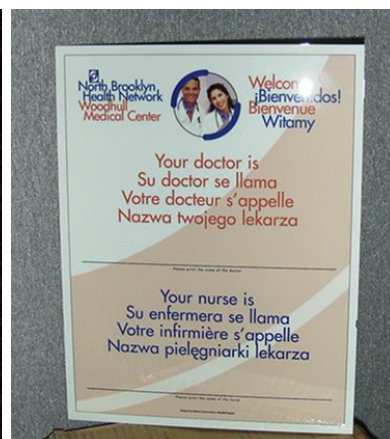
Ogee Plaque 1/2" MDF



2 Complicated Colors



2 sided medical Promo



## Uses of CGW Dry-Erase Boards

- ⇒ Planning , Control and In-Out boards laid out for your needs
- ⇒ Calendars the way you want them to be
- ⇒ Furniture Panels—since its rigid and available in various materials, it can be become part of the furniture or item being produced and both sides can be coated and printed.
- ⇒ Plant Layouts from AutoCad Drawings
- ⇒ Real estate, town fire districts, delivery routes, electronic device repair or use
- ⇒ Awards, tracking performance, Goal setting
- ⇒ Promotional items such as to-do lists with your LOGO in color
- ⇒ Medical Training and Hospital patient boards
- ⇒ Point of purchase that stand out with color and great dry erase

- ⇒ Trompe l'oeil and Faux finishes
- ⇒ Restaurant and food service, Equipment maintenance, Factory process control
- ⇒ Hospital and Patient/Nurse Boards
- ⇒ OEM use
- ⇒ Clipboards
- ⇒ Athletic fields for coaches
- ⇒ Building lots,
- ⇒ Great for Custom Grids
- ⇒ Job assignment, Shift coverage, Repair Status
- ⇒ Education
- ⇒ Promotional

## Art Work specifications

- ⇒ Basically to save any setup / layout charges you need to submit a digital file that will print out at FULL size on paper and look great. (Publisher, vector format adobe illustrator, large to scale tiffs, full size PDF's etc. For full specs on what to submit see CustomGraphicWhiteBoards.com
- ⇒ Basic planning type boards are usually about \$75 layout cost
- ⇒ We do basic calendar layouts for free      ==>If in doubt call us or e-mail us your file for our advise.

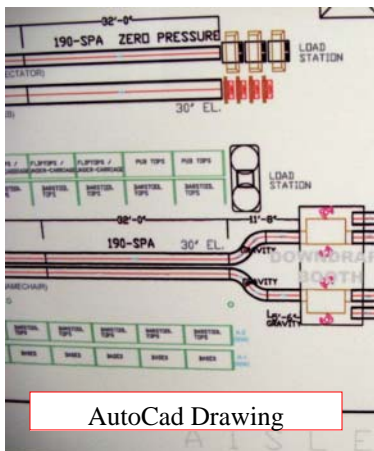
CGWA-Die cut Aluminum sign-Embossed and dry-erase



Find us at [ahutton.com](http://ahutton.com) or call (860)632-2026

## Packaging and Shipping

- ⇒ We can package for individual UPS shipment or bulk pack
- ⇒ We can run a drop ship fulfillment program so you have one vendor.
- ⇒ We have the resources to make your job easy!



AutoCad Drawing



Large Training Aid



(860)632-2026 Voice  
 (860)632-2028 Fax  
 ahutton@ahutton.com  
 www.ahutton.com



12/22/06 last update

Quantity	Retail Each	Size	Description—All below are Printed !! call for Dealer, OEM & volume discounts
14,000	\$14.50	8" x 17"	2-sided Steel printed and laser cut to shape
1000	\$50.50	2' x 3'	1/8" hardboard w/ routed edges & rounded corners
5,000	\$2.44	2.5" x 4.5"	2 sided FRP
1,000	\$24.66	2' x 3'	MarkaSteel-Mg Steel Skin with full size image
1,000	\$75.75	2' x 3'	MarkaSteel-Mg Steel Skin with full size image with rigged aluminum frame and marker tray in box
1,000	\$27.78	2' x 3'	CGWA-Printed Die Cut Aluminum that's Embossed
300	\$32.00	18" x 24"	MarkaSteel-MG Printed w/Plastic Frame
750	\$103.50	4' x 6'	MarkaSteel-Mg Steel Skin with full size image
50	\$432	4' x 8'	MarkaRace Steel High Gloss Printed Skin
50,000	\$2.37	9" x 12"	1/8" hardboard w/ routed edges & rounded corners
1,000	\$61.40	36" x 48"	CGWA-Printed Die Cut Aluminum-not embossed

### Besides Printable Dry Erase we also .....

- ⇒ Sell MarkaRace our non-printable version that is a great alternative to conventional painted, laminated and porcelain coated marker boards. Great Price plus fantastic erasability.
- ⇒ Pre-Framed Dry-Erase Markerboards from Claridge, Polyvision, Egan, Best-rite, AARCO and Da-lite
- ⇒ Tackable Wall Surfaces in a range of materials. In rolls for field installation, installed in cabinets, installed in frames or laminated onto hardboard. Our Forbo Colored Cork is rugged, washable and in 12 colors.

### Besides Die subbing onto Dry Erase we also Print

- ⇒ Translucent FRP—for stained glass—Trompe L'Oeil and Faux finishes — lots of uses call us
- ⇒ Furniture paper—We can print on certain furniture papers

### Hospital Boards for Patient Rooms and Medical / Anatomy promotional boards are our biggest volume sellers====>

Prices Below are subject to both change and substantial resale discounts!  
 Check out our web site at ahutton.com for current pricing and new methods!

MarkaSteel-MG Size:		MarkaSteel-MG Printed +1/4" hardboard backed w/Aluminum Frame			June-06 List Price
Width	Length	1	2-5	6-9	10
48	96	\$ 1,099.50	\$ 1,099.50	\$1,099.50	\$ 1,099.50
48	72	\$ 1,005.50	\$ 1,005.50	\$1,005.50	\$ 1,005.50
36	60	\$ 546.00	\$ 445.00	\$ 422.80	\$ 404.60
48	48	\$ 394.00	\$ 327.00	\$ 313.60	\$ 300.20
36	48	\$ 372.00	\$ 309.00	\$ 296.40	\$ 283.80
36	36	\$ 344.00	\$ 287.00	\$ 258.50	\$ 241.40
24	48	\$ 225.00	\$ 209.40	\$ 201.60	\$ 193.80
24	36	\$ 193.00	\$ 180.60	\$ 174.40	\$ 168.20

Today's Date: (Fecha):	<b>Good Health Hospital</b> Where Caring Is Our Specialty
Room#: (# de Cuarto): 111	Telephone #: # de Telefono): 860-632-2026
Nurse: (Enfermera):	Physician: (Al Médico):
Assistant Nurse: (ayudante de la Enfermera):	Housekeeper: (Ama de casa):
Information: (Información):	Meals: Room Service 4557
Today's Plan (plan de Cuidado para Hoy): 	
Pain Management is OUR Goal! El Control Del Dolor Es Nuestra Meta. goal <input type="checkbox"/>	
<input type="checkbox"/> If This Box is Checked, This Patient is a Limited English Proficiency Patient Who Speaks Only To the Doctor and Nurse: Please print the name of the language <small>* Clean only with soap &amp; water, Expo cleaner, Windex or isopropyl alcohol. Do not use other cleaners or disinfectants! *</small>	