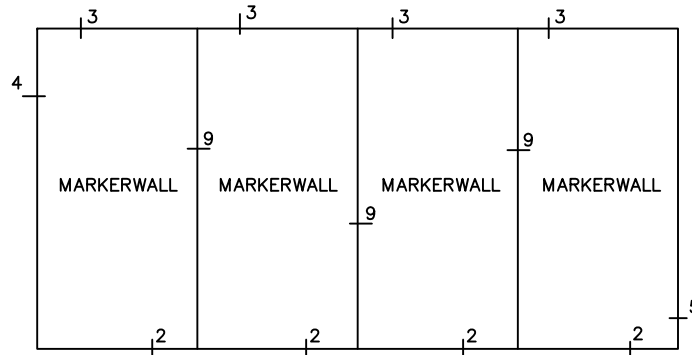
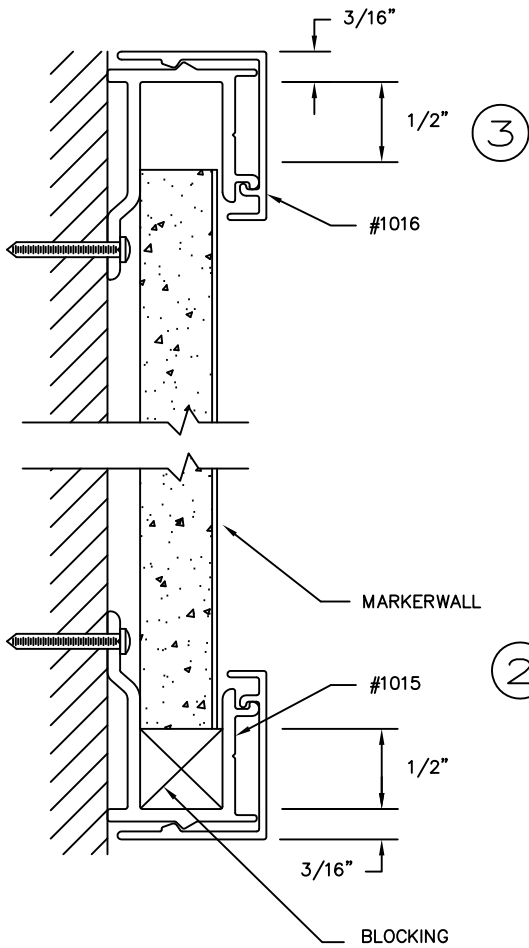
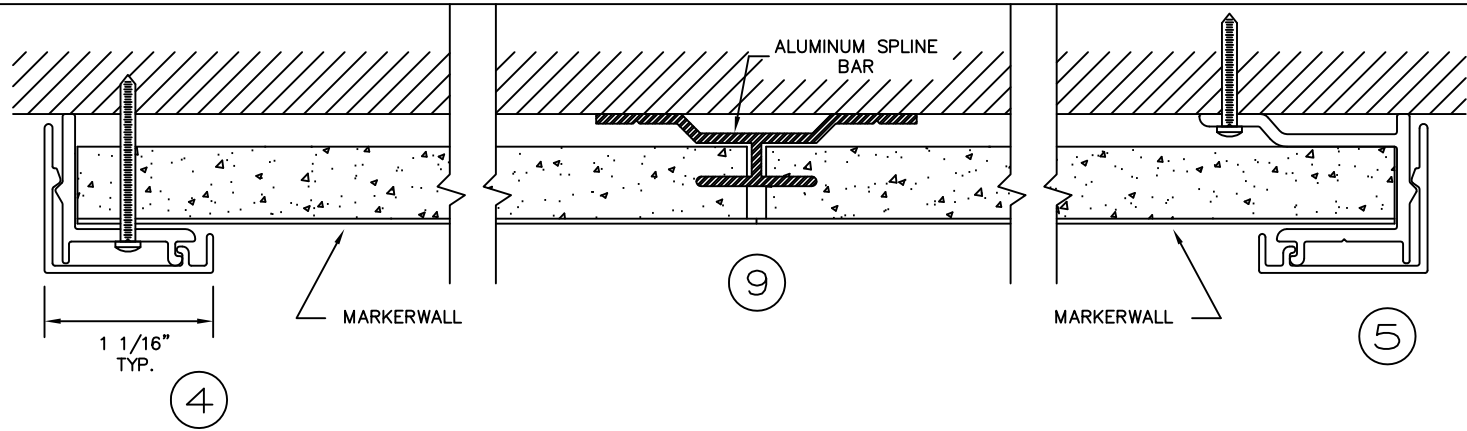


**CLARIDGE FACTORY BUILT  
MARKER WALL UNITS**  
TRIM SECTION DETAILS  
SCALE=FULL SIZE



**CLARIDGE**  
PRODUCTS AND EQUIPMENT, INC.  
P.O. BOX 910  
HARRISON, AR. 72602

ORDER NO. -

SHEET NO. 1 OF 1