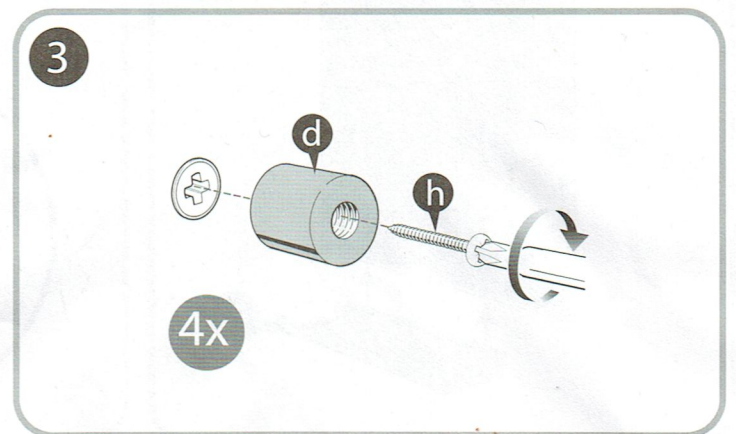
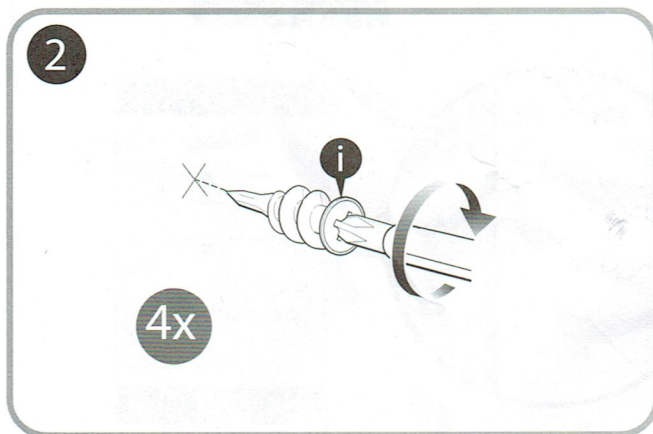
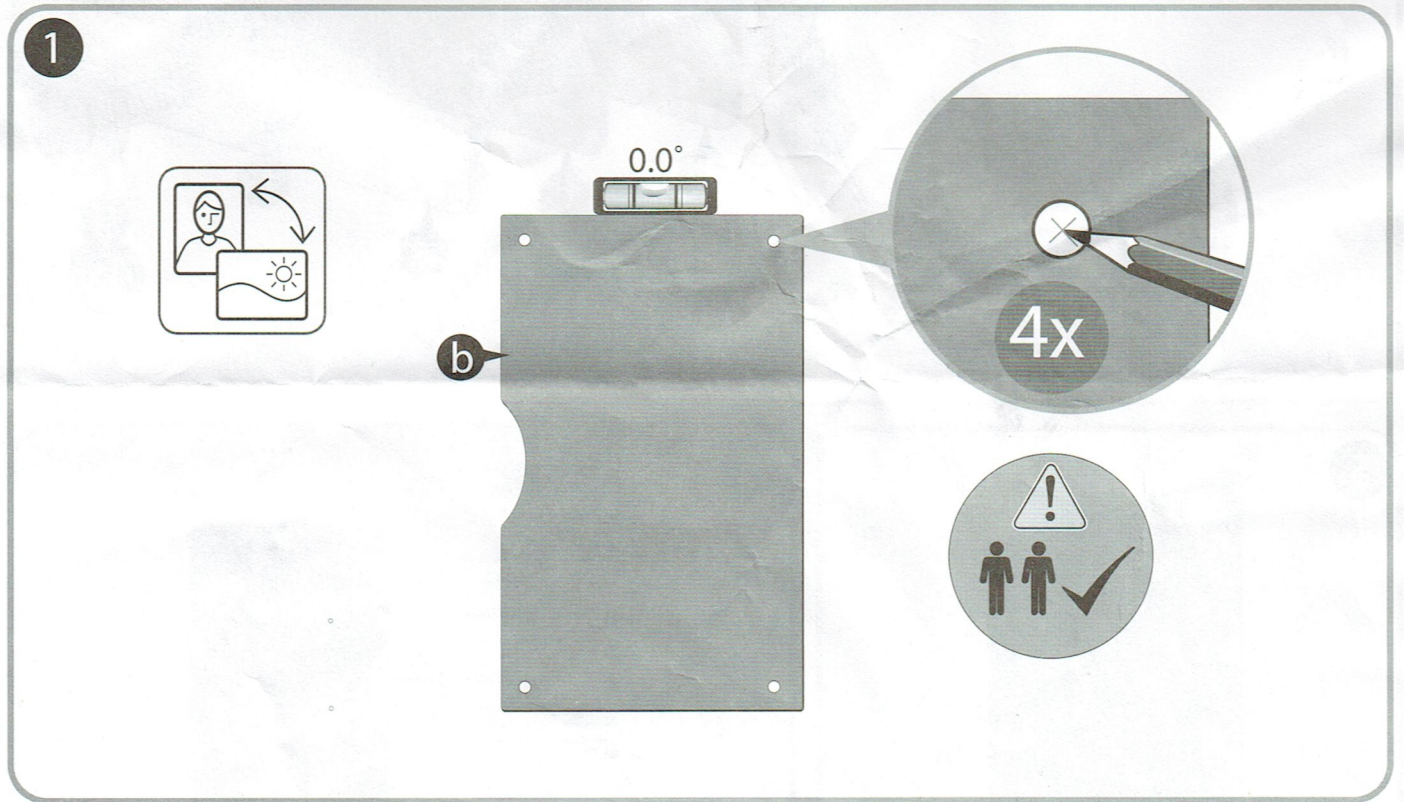
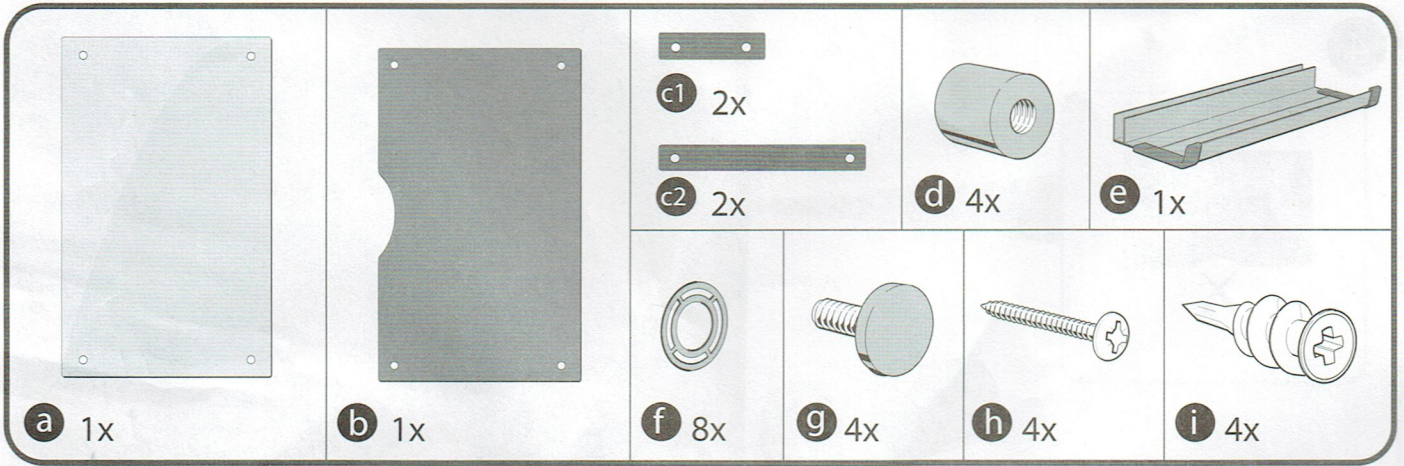


Customizable Magnetic Glass Dry-Erase Board

8.5x11", 11x17", 18x24", 24x36"



*for older or hard wallboard, a 7/32" pilot hole can be drilled first for easier anchor installation

Pour les murs anciens ou durs, percer un trou de guidage de 7/32 po pour faciliter l'installation des dispositifs d'ancrage.

Customizable Magnetic Glass Dry-Erase Board

8.5x11", 11x17", 18x24", 24x36"

